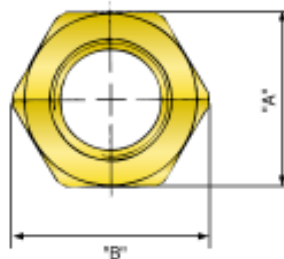
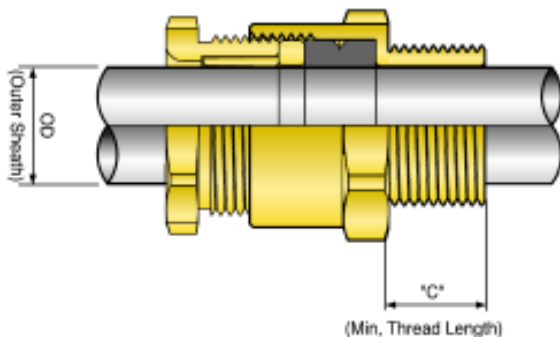


Non-Armoured Glands – ASG Range

Applications

- Cable Type : Unarmoured
- Sealing Area : Cable Outer Sheath
- Operating Temperature : -60°C to +80°C
- Materials : Brass or Brass nickel plated
- Suitable for use in:
Zone1, Zone2, Zone21 and Zone22,
Gas Groups, IIA, IIB and IIC
- Ingress Protection : IP66/67 to IEC529
- Certificate Nos : Baseefa09ATEX0187X,
IEC Ex: IECEx BAS 09.0089X



Cable Gland Size	Entry Thread Size		Cable Acceptance Details (Outer Sheath 'OD')				Hexagon Dimension		Min Thread Length "C"		
	Metric	NPT	Standard Seal		Alternative Seal (S)		Across Flats "A"	Across Corners "B"	Metric	NPT	
			Min.	Max	Min.	Max					
ASG-M16a	M16	-	3.0	6.0	-	-	22.0	24.5	15.0	-	
ASG-M16b			6.1	10.0	4.0	8.0					
ASG-M20a	M20	1/2"	3.0	6.0	-	-	24.0	26.8			20.0
ASG-M20b			6.1	10.0	4.0	8.0					
ASG-M20c			10.1	15.0	8.5	13.0	27.0	30.0			
ASG-M25	M25	3/4"	12.0	18.0	10.0	15.0	32.0	35.5			
ASG-M32a	M32	1"	18.1	23.0	16.0	21.0	39.0	43.5	25.0		
ASG-M32b			22.1	26.0	20.0	24.0					
ASG-M40	M40	1 1/4"	26.1	32.0	22.0	28.0	48.0	53.5	25.6		
ASG-M50	M50	1 1/2"	32.1	40.0	27.5	35.0	58.0	64.0	26.0		
ASG-M63a	M63	2"	40.1	47.0	38.0	44.0	73.0	81.0	27.0		
ASG-M63b			47.1	54.0	43.0	50.0					
ASG-M75	M75	2 1/2"	55.1	65.0	51.0	58.0	85.0	94.0	40.0		
ASG-M80	M80	3"	65.1	71.5	61.0	67.0	100.0	109.5	41.5		
ASG-M90			M90	71.6	77.6	68.0				73.0	105.0
ASG-M100a	M100	4"	73.5	86.0	-	-	122.0	135.0	44.0		
ASG-M100b		-	80.0	92.0	-	-	122.0	135.0	-		
ASG-M115a	M115	-	86.0	98.0	-	-	138.0	152.0	-		
ASG-M115b		-	92.0	102.0	-	-	138.0	152.0	-		
ASG-M130a	M130	-	97.0	110.0	-	-	154.0	168.0	-		
ASG-M130b		-	104.0	116.0	-	-			-		

Accessories

Lock-Nut, Sealing washer, Serrated washer, Earth Tag and PVC Shroud are available