

# ATF GRP Fluorescent Luminaire

The Ablux ATF fluorescent is a general purpose luminaire suitable for use in Zone 2 hazardous areas, giving a range of output options and also available as a self-contained emergency luminaire. Manufactured in high quality GRP with a polycarbonate diffuser and protected to IP65, the ATF offers flexibility in terms of light output and scope. ATFE version provides emergency operation of 1 lamp for 3 hours.



IP65

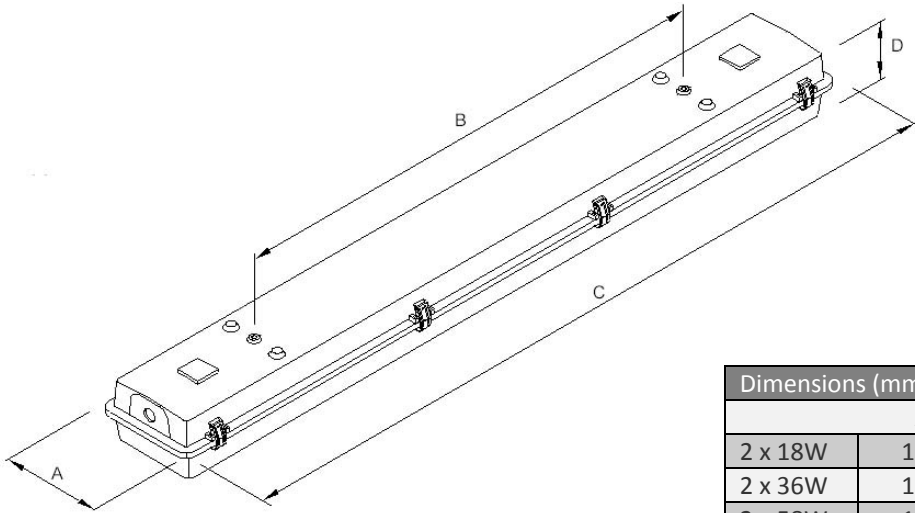


## Luminaire Ratings

Product Reference	Lamp Type	Lamp Cap	Power (W)	Temperature Rating	Ambient Temperature	Weight (Kg)
ATF218	T8 bi-pin	G13	2 x 18W	T4	-20°C to 40°C	2.6
ATF236	T8 bi-pin	G13	2 x 36W	T4	-20°C to 40°C	3.7
ATF258	T8 bi-pin	G13	2 x 58W	T4	-20°C to 40°C	4.2
ATFE218	T8 bi-pin	G13	2 x 18W	T4	-20°C to 40°C	4.5
ATFE236	T8 bi-pin	G13	2 x 36W	T4	-20°C to 40°C	5.8
ATFE258	T8 bi-pin	G13	2 x 58W	T4	-20°C to 40°C	6.4

## Luminaire Specifications

Luminaire Type	GRP Zone 2 Tubular Fluorescent Luminaire
Ingress Protection	IP65 to EN60529
Material	GRP enclosure, polycarbonate diffuser and stainless steel diffuser retaining clips
Distribution/output	Via prismatic diffuser.
Lamp Types	Tubular fluorescent T8 bi-pin lamps.
Lamp Cap	G13
Lamp Change	Via quick release diffuser clips
Cable Entry	2 x M20 clearance holes (M25 clearance optional), 1 at each end of body.
Terminals	'Through wire' terminal block for up to 6mm <sup>2</sup> conductors as standard
Control Gear	Copper and iron ballast, electronic switch start, pfc capacitor
Orientation	Universal
Mounting	Via 8mm holes on rear of body
Supply	Standard: 220 to 254V 50/60Hz Option: other voltages available on request
Certification	
Area Classification	Group II Category 3 G D (Zone 2)
Type of Protection	Ex nA (non sparking)
Apparatus Coding	II 3 GD Ex nA II(see table for temperature rating & ambient temperature range)



Dimensions (mm)				
	A	B	C	D
2 x 18W	170	500	700	105
2 x 36W	170	800	1310	105
2 x 58W	170	1100	1610	105

## Options

M25 Cable entries	/M25 (other thread types available on request)
60 Hz operation	/60
Non standard voltage	/110 (check with sales office to ensure availability)

Add the required suffix to the product reference, for example ATF236/M25

## Accessories

Pole mounting bracket (Ø35 to Ø45mm)	ATFA-PM1
Pole mounting bracket (Ø45 to Ø60mm)	ATFA-PM2
Ceiling mount stand off bracket	ATFA-CB
Angled wall mount bracket	ATFA-WBA