

ATS Stainless Steel Floodlight

IP66/67



The Ablux ATS floodlight is a floodlight designed for use in harsh and hazardous environments. Manufactured in 316 grade stainless steel and protected to IP66/67, the ATS can cope with the most arduous of conditions. Suitable for use in a Zone 2 hazardous area, the ATS has the benefit of a quick access cover for lamp replacement.



Luminaire Ratings

Product Reference	Lamp Type	Lamp Cap	Power (W)	Temperature Rating	Ambient Temperature	Weight (Kg)
ATS150SH*	HPS/MBI	E40	150	T3	-50°C to +55°C	17.0
ATS250SH*	HPS/MBI	E40	250	T3	-50°C to +55°C	17.8
ATS400SH*	HPS/MBI	E40	400	T3	-50°C to +55°C	17.0
ATS500T**	TH	E40	500	T3	-50°C to +55°C	17.0

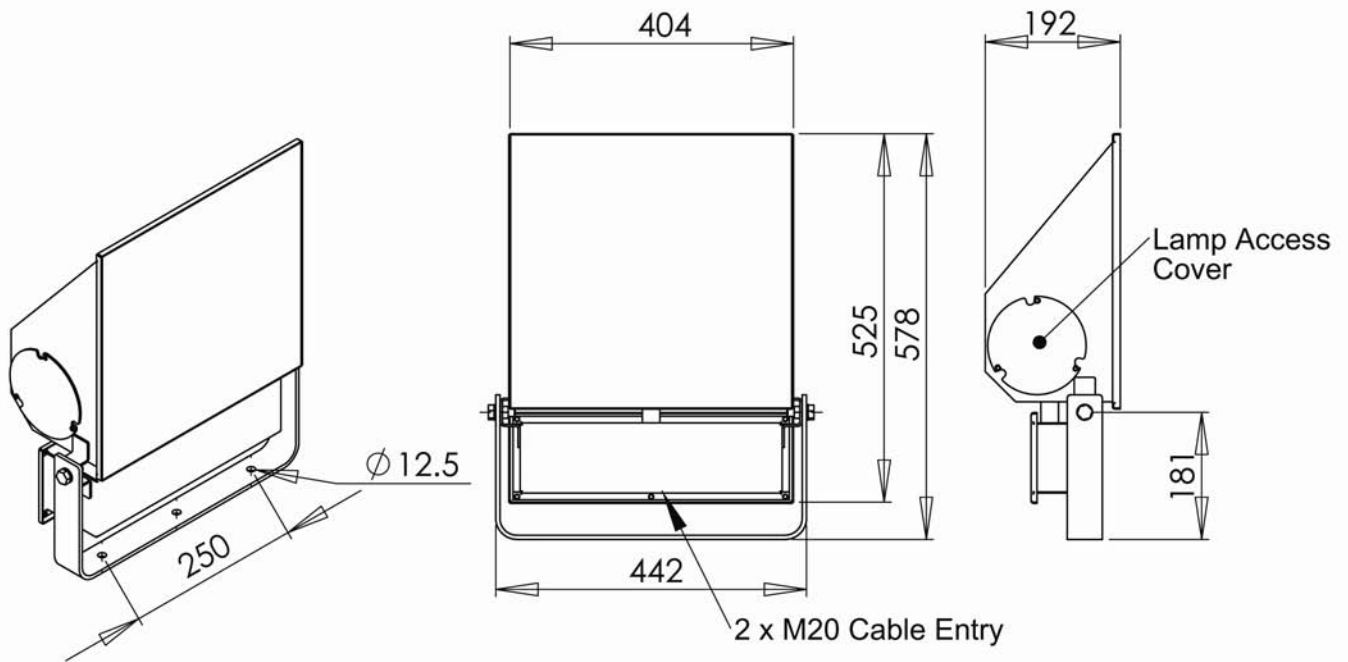
Suffix Key – S = High Pressure Sodium, H = Metal Halide, T = Tubular Tungsten Halogen

*Values relate to product mounted such that the lamp is positioned above the control gear. Universal mounting is allowable with different ambient rating.

**500W is the maximum lamp size permitted. Lower wattage lamps may be fitted. TH version has terminal box only.

Luminaire Specifications

Luminaire Type	Asymmetric Beam Stainless Steel Zone 2 Floodlight
Ingress Protection	IP66/67 to EN60529
Material	Stainless steel 316 grade housing, toughened glass window, silicone gaskets
Distribution/output	Asymmetric beam in medium and wide versions.
Lamp Types	High Pressure Sodium, Metal Halide or Single Ended Tungsten Halogen
Lamp Cap	E40/GES
Lamp Change	Via quick access lamp cover on side of enclosure.
Cable Entry	2 x M20 clearance holes (M25 clearance optional)
Terminals	Looping terminal block for up to 6mm ² conductors as standard
Control Gear	Copper and iron ballast, timed impulse ignitor, pfc capacitor
Orientation	Universal
Mounting	Saddle bracket as standard, other mounting options available
Supply	Standard: 220 to 254V 50/60Hz Option: other voltages available on request
Certification	
Area Classification	Group II Category 3 G D (Zone 2)
Type of Protection	Ex nR (restricted breathing)
Apparatus Coding	II 3 GD Ex nR II(see table for temperature rating & ambient temperature range)



Options

M25 Cable entries	/M25 (other thread types available on request)
60 Hz operation	/60
Ignitor only option	/IO (allows control gear to be mounted elsewhere)
Non standard voltage	/110 (check with sales office to ensure availability)

Add the required suffix to the product reference, for example AT5150SH/M25

Accessories

Pole mounting bracket (Ø35 to Ø50mm)	ATSA-PM1 (other diameters available on request)
Anti glare shield	ATSA-AGS
Wire guard	ATSA-WG
Combined Anti glare shield/Wire guard	ATSA-WGS